

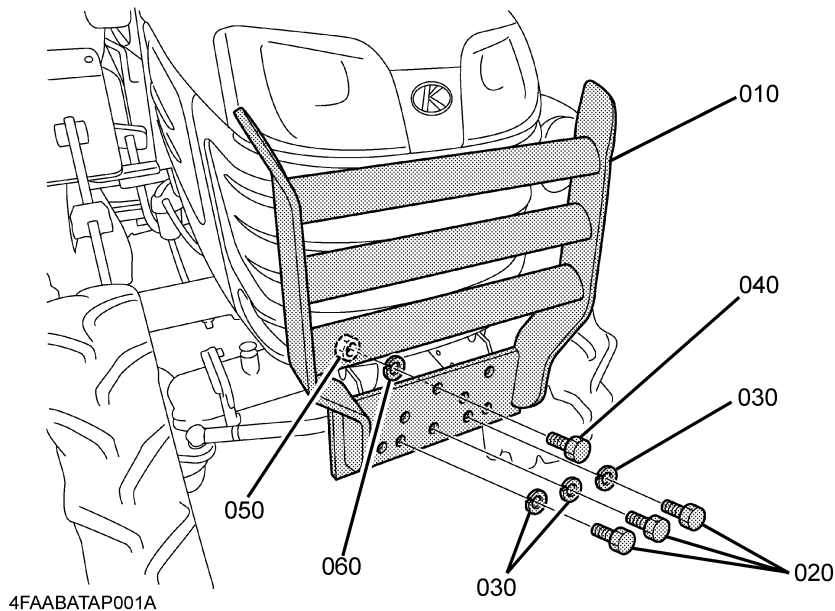
INSTRUCTION MANUAL LA213 FRONT GUARD KIT (7J054-99521) for KUBOTA TRACTOR B1620 / B1820

■ Tractor Preparation

Locate the tractor on a firm level surface. Stop the engine and set the parking brake.

■ Installation Instructions

1. Remove the front bumper from the front axle frame, if equipped.
2. Attach the front guard (010) to the front axle frame using the three hex bolts (020), spring lock washers (030) and the hex bolt (040), hex nut (050), spring lock washer (060).
◆ Tightening torque: 90.1 N-m (9.2 kgf-m, 66.5 ft-lbs)



■ Parts List

REF. No.	PART No.	PART NAME	Q'TY	REMARKS
010	7J054-5781-0	GUARD, FRONT	1	
020	01073-51430	HEX. BOLT (M14 x 30)	3	
030	04512-50140	WASHER, SPRING LOCK (M14)	3	
040	01073-51435	HEX. BOLT (M14-35)	1	
050	02076-50140	HEX. NUT (M14)	1	
060	04512-50140	WASHER, SPRING LOCK (M14)	1	
070	7J054-9953-0	MANUAL, INSTRUCTION	1	This paper