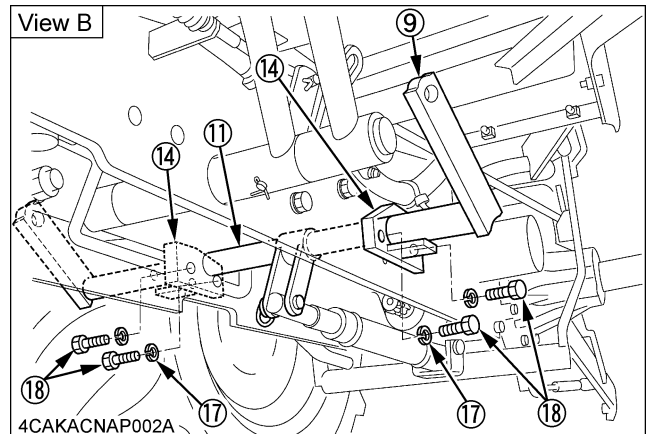
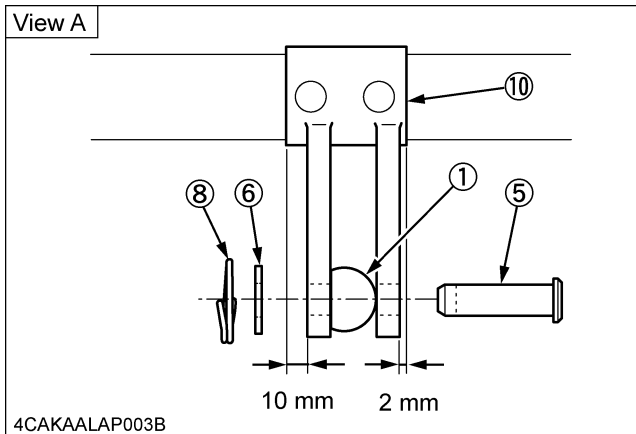
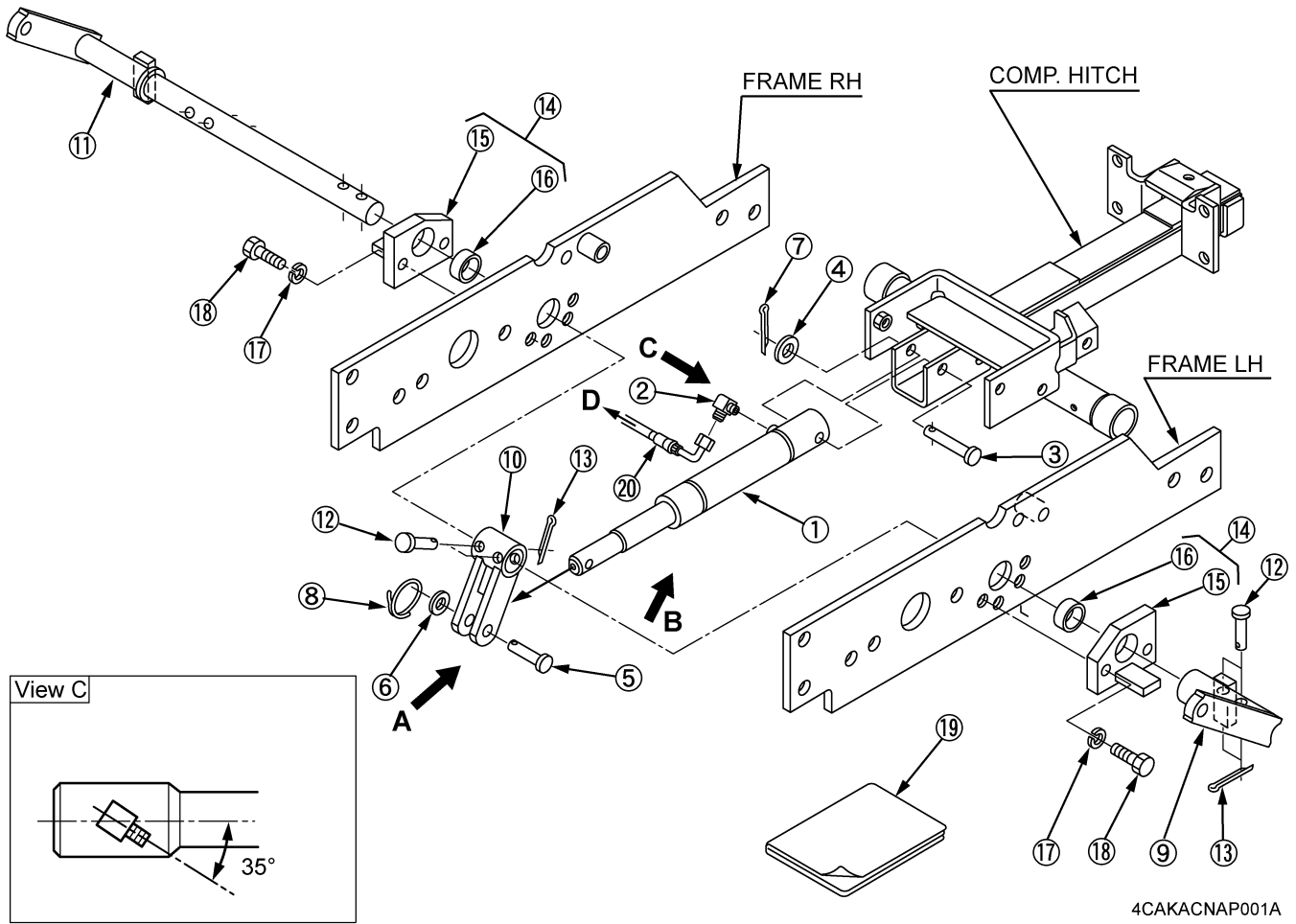
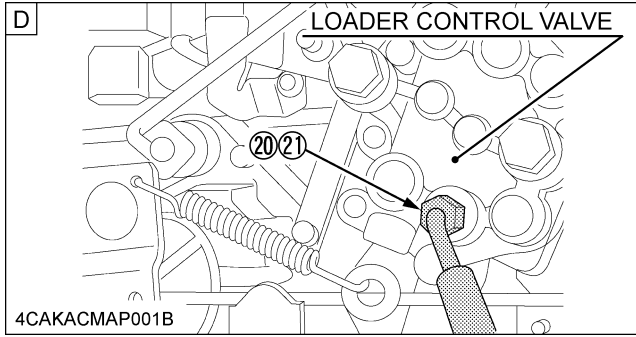


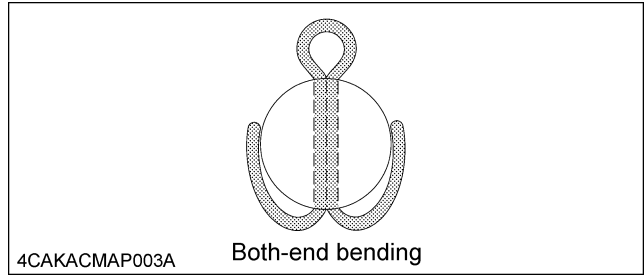
INSTRUCTION MANUAL MID MOWER LIFT CYLINDER KIT (6C482-96100) for KUBOTA TRACTOR B2350 / B2650 / B3150 CAB and B3150 ROPS MODEL





NOTE :

- Pass and Bend the split pin as illustrated below.



■ Tightening torques

◆ Bolt and Nut

BOLT	REF. No.	REQUIRED TORQUE
M12 BOLT	(18)	103 to 117 N-m (10.5 to 12.0 kgf-m)

◆ Hydraulic Parts

PART No.	TIGHTENING TORQUE
[(2) and (1)], [(20) and (2)], [(20) and (21)]	30 to 35 N-m (3.1 to 3.6 kgf-m)
(21) and Loader control valve	47 to 54 N-m (4.8 to 5.5 kgf-m)

■ Parts List

REF. No.	PART No.	PART NAME	Q'TY	REMARKS
1	YW372-0010-0	CYLINDER, HYD.	1	
2	48100-3753-0	ELBOW	1	
3	05122-51470	PIN, JOINT	1	
4	04013-50140	WASHER, PLAIN	1	
5	05122-51245	PIN, JOINT	1	
6	04013-50120	WASHER, PLAIN	1	
7	05511-50425	PIN, SPLIT	1	
8	76550-4219-0	RING, SNAP	1	
9	6C222-3891-0	ARM, LIFT LH	1	
10	6C072-3893-0	ARM, LIFT MIDDLE	1	
11	6C222-3894-0	SHAFT, LIFT	1	
12	05122-51245	PIN, JOINT	4	
13	05511-50425	PIN, SPLIT	4	
14	6C222-3895-0	ASSY HOLDER	2	REF. No. 15 and 16
15	6C222-3896-0	HOLDER	2	
16	08511-02815	BUSH	2	
17	04512-50120	WASHER, SPRING	4	
18	38240-1318-0	BOLT, REAMER	4	9T
19	6C482-3899-0	MANUAL, INSTRUCTION	1	This paper
20	6C482-3854-0	HOSE (LIFT CYLINDER)	1	
21	6C482-3853-0	JOINT, STR PIPE	1	