

INSTRUCTION MANUAL

FRONT LOADER CONTROL VALVE KIT (6C422-97701)

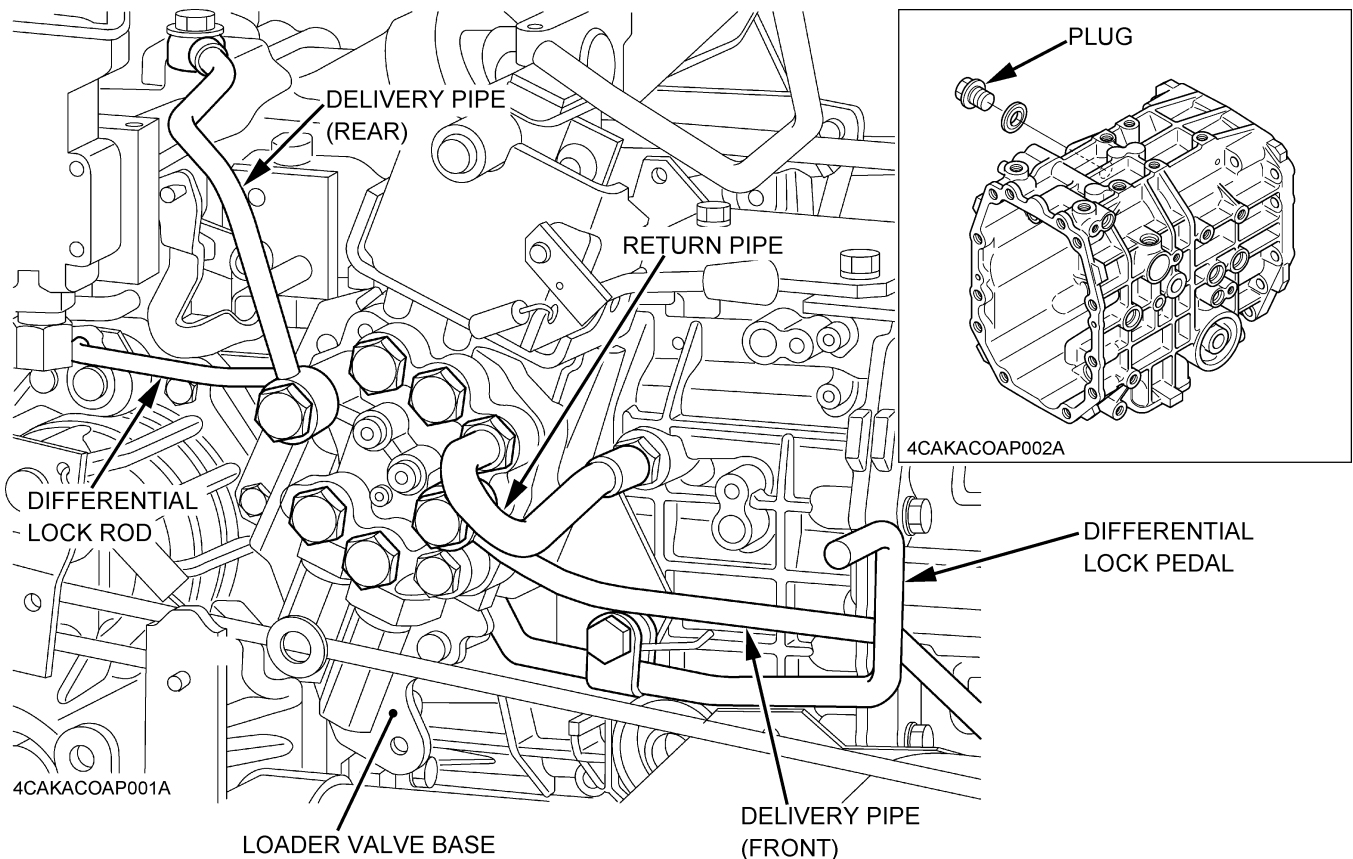
for KUBOTA TRACTOR B2050 / B2350 / B2650

■ Disassembly Procedure

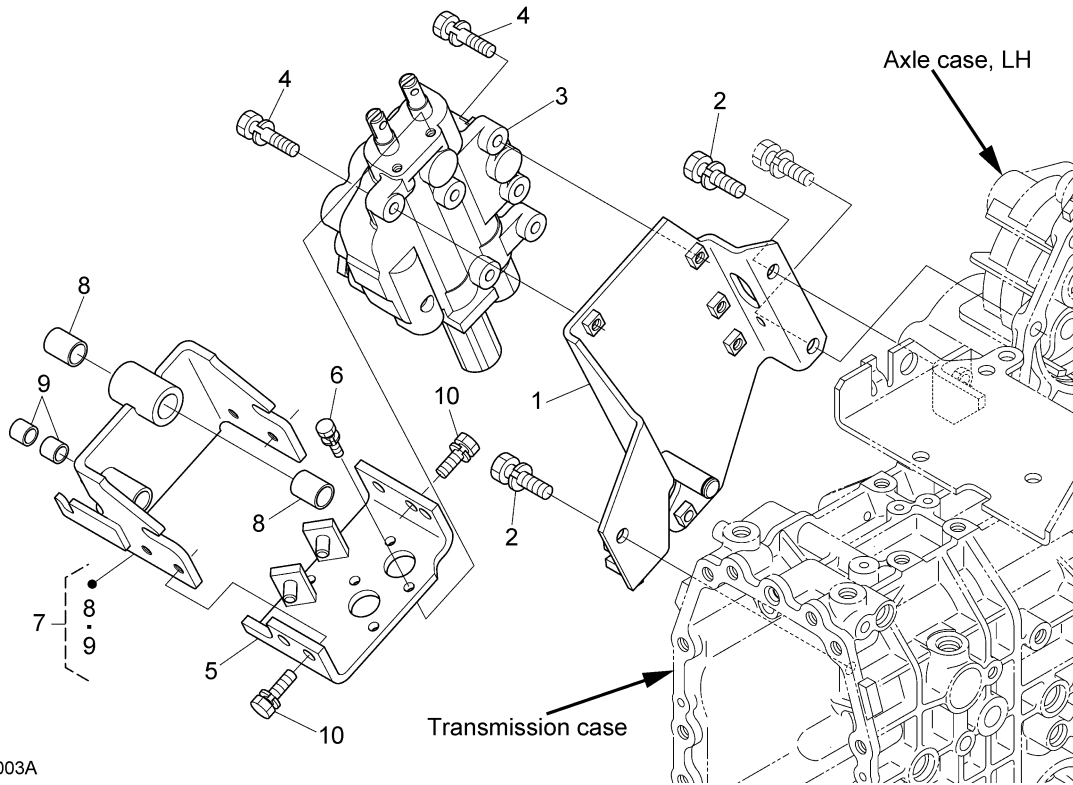
1. Remove the rear tire (RH).
2. Remove the fender (RH).
3. Remove the step (RH).
4. Remove the seat under cover.
5. Disconnect the delivery pipe.
6. Disconnect the plug. (See the illustration)
7. Disconnect the differential lock pedal and the differential lock rod.

■ Assembly Procedure

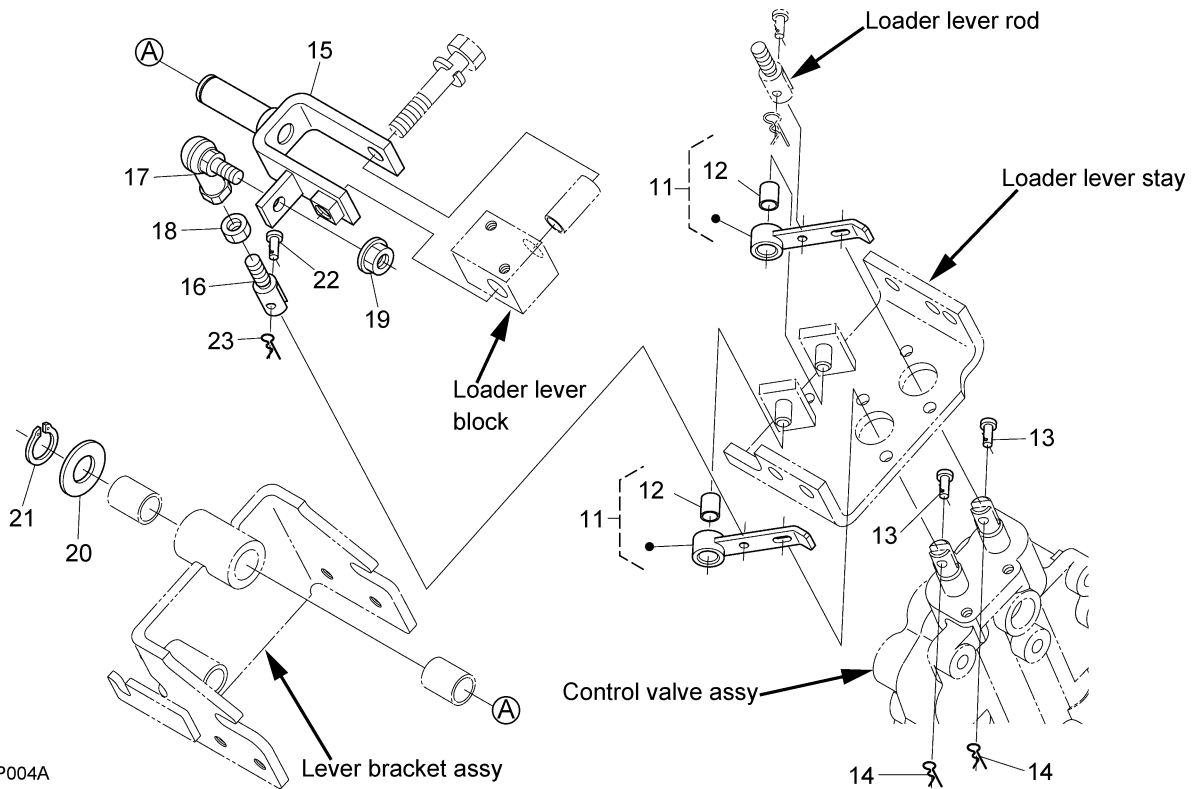
1. Attach the loader valve base, the differential lock pedal and the differential lock rod.
2. Attach the loader lever link to the control valve. (See the parts list)
3. Attach the loader valve to the loader valve base.
4. Connect the delivery pipes (front and rear).
5. Tightening torque for the bolt joint (43) and (47) is **48 to 70 N-m (4.85 to 7.07 kgf-m)**.
Tightening torque for the bolt joint (50) is **50 to 60 N-m (5.05 to 6.06 kgf-m)**.
6. Connect the return pipe using the joint (52) and (54).
7. Tightening torque for the bolt joint (52) is **70 to 80 N-m (7.07 to 8.08 kgf-m)**.
Tightening torque for the bolt joint (54) is **23 to 27 N-m (2.32 to 2.73 kgf-m)** with thread sealant (Loctite 542).
8. Attach the lever (loader 2) and lever grip to the valve assy.
9. Attach the seat under cover, the step (RH), the fender (RH), and rear tire in the exact reverse order of removal.



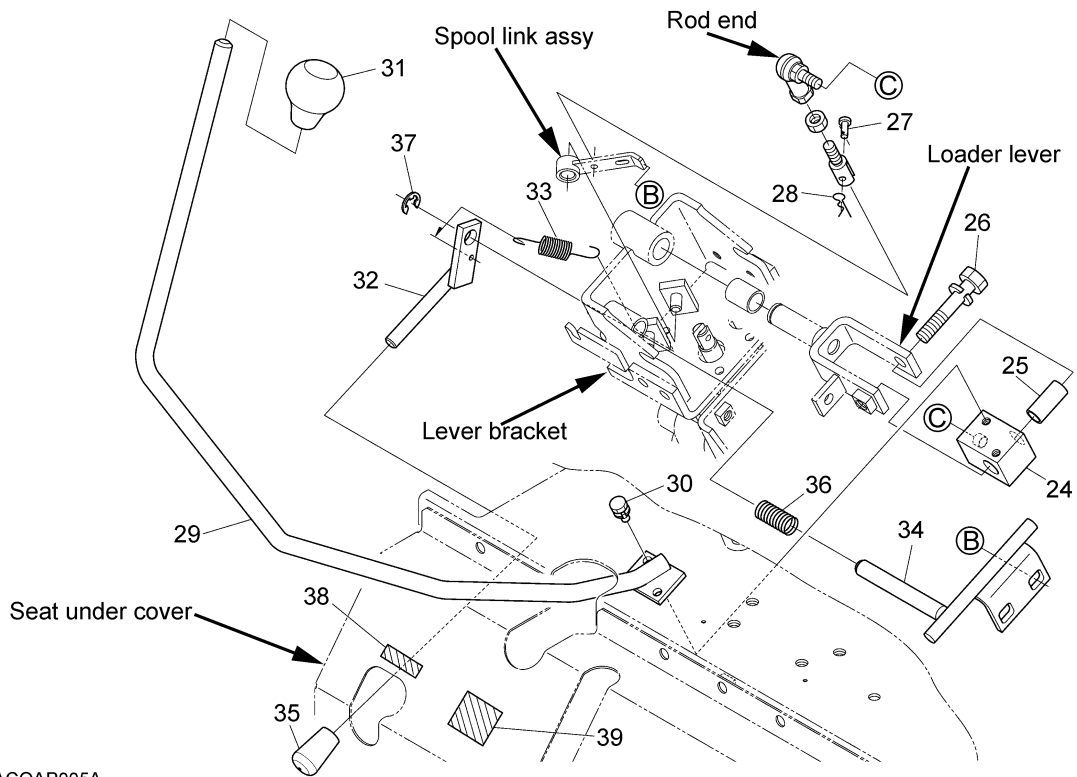
■ Parts List
◆ Loader valve



◆ Loader valve link

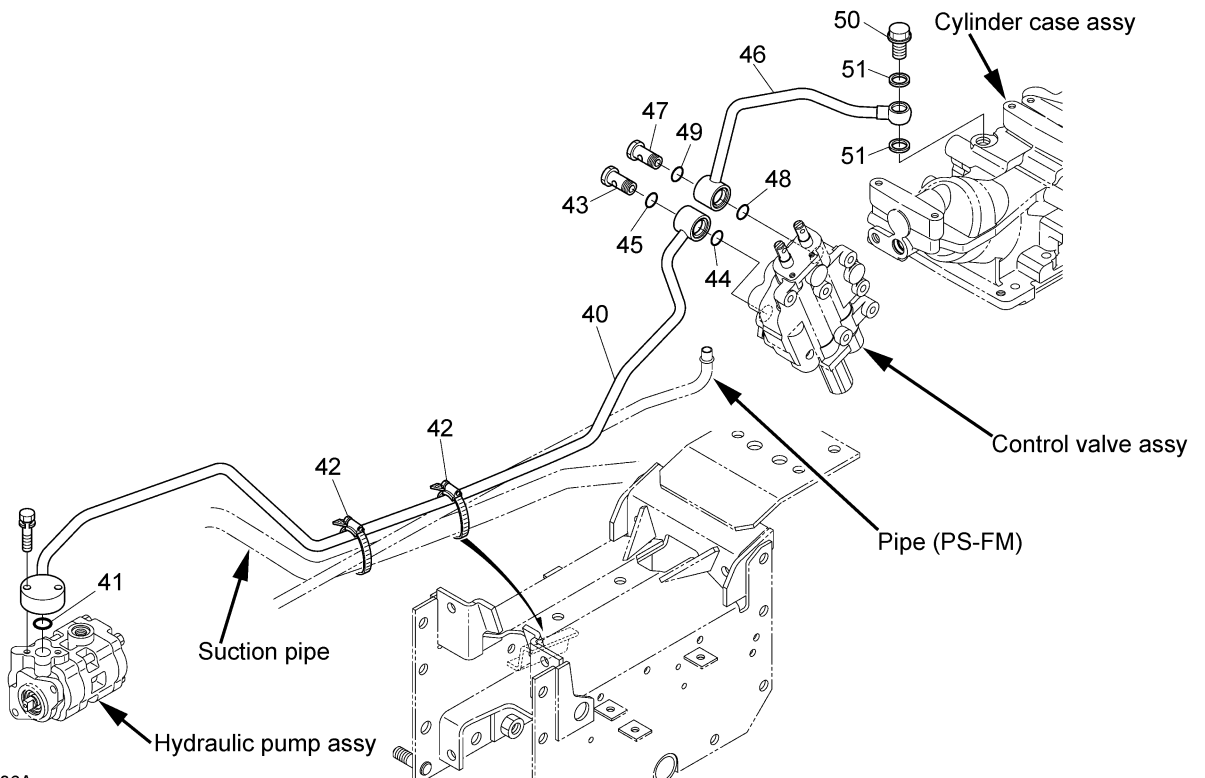


◆ Loader valve lever



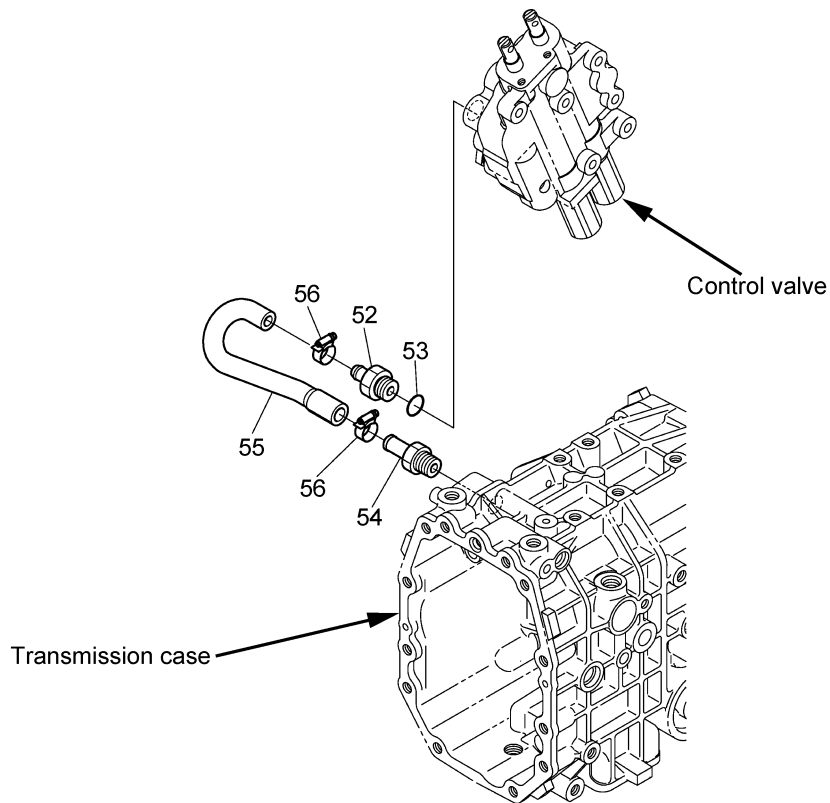
4CAKACOAP005A

◆ Hydraulic oil line



4CAKACOAP006A

◆ Hydraulic loader pipe



4CAKACOAP007A

REF. No.	PART No.	PART NAME	Q'TY	REMARKS
1	6C442-3811-0	BASE (LOADER VALVE)	1	
2	01123-51025	BOLT, SEMS	2	7T
3	YW530-0010-2	VALVE, ASSY (CONTROL)	1	
4	01123-50835	BOLT, SEMS	4	7T
5	6C300-3812-6	STAY, LOADER LEVER	1	
6	01023-50616	BOLT, SEMS	4	7T
7	6C300-3819-7	ASSY BRACKET, LEVER	1	
8	08511-01620	BUSH	2	
9	08511-01212	BUSH	2	
10	01123-50820	BOLT, SEMS	4	7T
11	6C300-3823-3	ASSY LINK, SPOOL	2	
12	08511-00812	BUSH	2	
13	68021-3279-0	PIN	2	
14	05525-50500	PIN SNAP	2	
15	6C300-3813-5	LEVER, LOADER	1	
16	6C300-3816-0	ROD, LOADER LEVER	1	
17	45404-9577-0	END, ROD	1	
18	02114-50080	HEX. NUT	1	
19	02121-50080	NUT	1	

REF. No.	PART No.	PART NAME	Q'TY	REMARKS
20	04013-50160	WASHER, PLAIN	1	
21	04612-00160	CIR-CLIP, EXTERNAL	1	
22	68021-3279-0	PIN	1	
23	05525-50500	PIN SNAP	1	
24	6C300-3821-6	BLOCK, LOADER LEVER	1	
25	6C300-3826-0	COLLAR, LOADER LEVER	1	
26	01133-51055	BOLT, SEMS	1	7T
27	68021-3279-0	PIN	1	
28	05525-50500	PIN SNAP	1	
29	6C442-3824-0	LEVER, LOADER	1	
30	01023-50612	BOLT, SEMS	2	7T
31	31355-8252-0	GRIP, LEVER	1	
32	6C442-3817-2	LEVER, LOCK	1	
33	6C040-5415-0	SPRING, TENS.	1	
34	6C300-3815-2	ROD, LOCK LEVER	1	
35	67111-4472-0	GRIP, LEVER	1	
36	6C300-3814-0	SPRING, LEVER LOCK	1	
37	04613-50080	CIR-CLIP, EXTERNAL	1	
38	6C360-4751-2	LABEL, LEVER LOCK	1	
39	6C482-4759-0	LABEL (HYD. OUTLET)	1	
40	6C442-3921-0	PIPE (DELIVERY, GP-LV)	1	
41	04817-00200	O RING	1	
42	67955-3623-0	CLAMP	2	
43	75538-6132-0	BOLT, JOINT	1	
44	04817-00210	O RING	1	
45	04816-00160	O RING	1	
46	6C410-3923-2	PIPE (DELIVERY, GP-LV)	1	
47	75538-6132-0	BOLT, JOINT	1	
48	04817-00210	O RING	1	
49	04816-00160	O RING	1	
50	6A320-3929-4	BOLT, JOINT	1	
51	67111-3718-0	GASKET	2	
52	PP501-7554-0	PLUG	1	
53	68011-6222-0	O RING	1	
54	69191-6329-0	JOINT, PIPE (ST/-)	1	
55	6C430-3949-0	HOSE (OIL DRAIN)	1	
56	6C050-5875-0	CLAMP, HOSE	2	
57	6C422-9778-0	MANUAL, INSTRUCTION	1	This paper